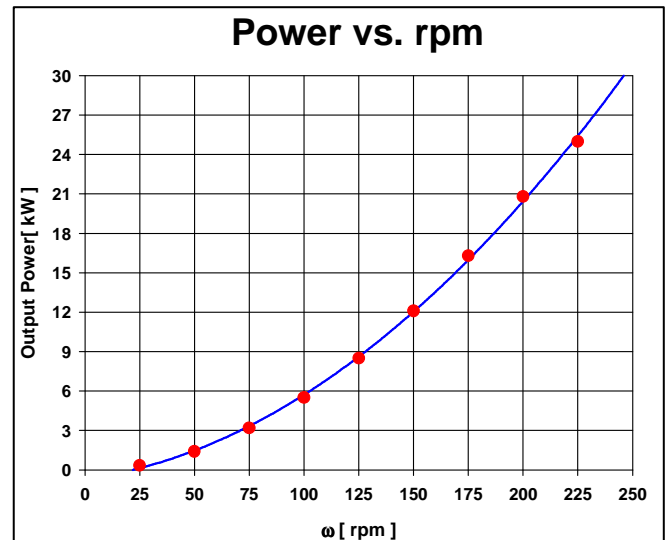
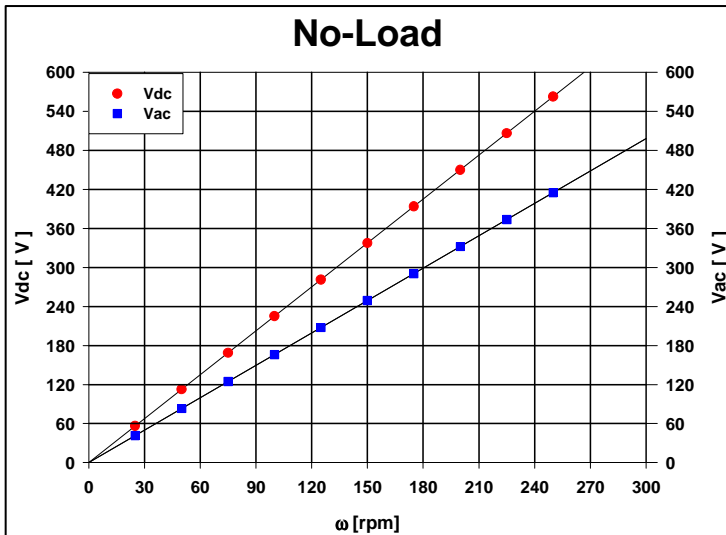


PMSG For Small Wind Turbine & Hydro Power Skew, Low Cogging Torque, High Efficiency...

Model : SWEG20K-AC200-I

	Symbol	units	
Output power	P _o	kW	20
Rated speed	ω	rpm	200
Output Voltage	E	V	3phase, 380(Line-Line)
Max. Efficiency	η	%	95
Rotor			Permanent magnet
Number of Pole	-	-	30
Speed Constant	K _E	Vdc/rpm	2.25
Resistance at 20 °C(Line-Line)	R _T	Ω	0.51
Inductance (Line-Line)	L	mH	7.2
Rotor Inertia	J	Kg-m ²	1.47
Maximum Temperature	C _{Max}	°C	150
Winding			Wye
Starting Torque		Nm	< 10
Shaft Play-Axial		mm	< 0.3
Gen. Weight	W _g	Kg	210

Note: Shaft-Stainless Steel, Al-Housing, Bearing- NSK or NTN



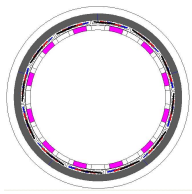
SEOLTECH CO.,LTD.

100-186 Calsan-Dong, Dalseo-Ku, Daegu Korea 704-900

Tel : 82.53.580.7400 Fax : 82.53.580.7499

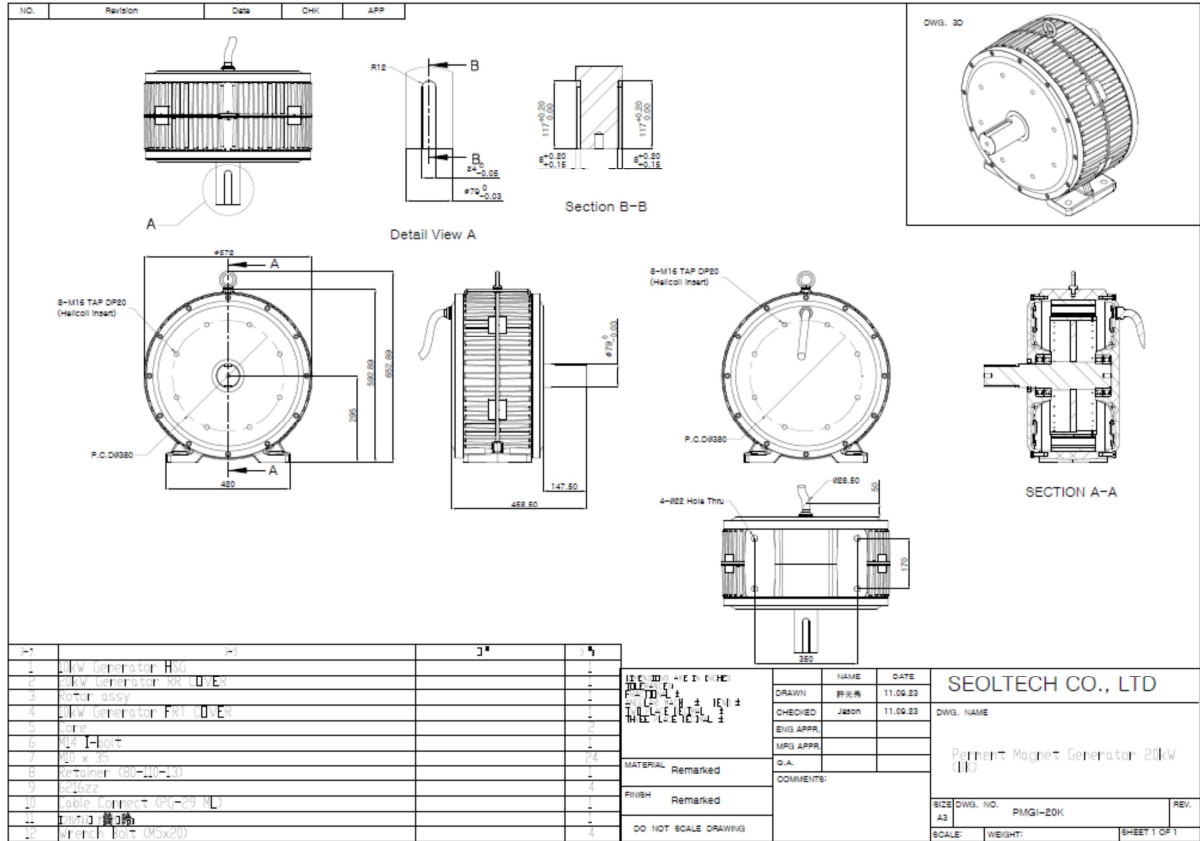
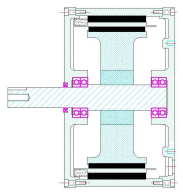
E-mail: rosa@seoltech.com & skywindearth@seoltech.com





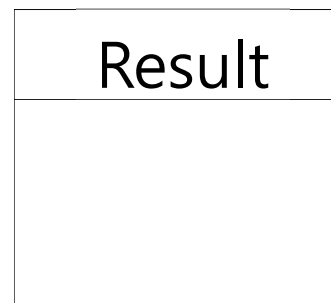
PMSG

ISO9001:2008 , ISO14001:2004



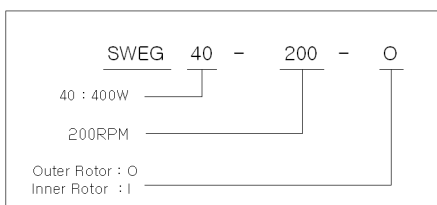
Checklist Category-

1. Dimension and Tolerances
2. Output power, Voltage, Rpm
3. Insulation Resistance Examination
4. Starting Torque
5. Output wire 10SQ X 3C (red, white, black)



GEN. SERIAL NO. : ST10

● Ordering Information



Note: Frame type, Housing Material: Al;

Warranty: 5 yrs

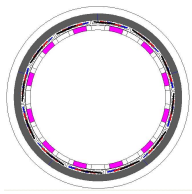
SEOLTECH CO.,LTD.

100-186 Calsan-Dong, Dalseo-Ku, Daegu Korea 704-900

Tel : 82.53.580.7400 Fax : 82.53.580.7499

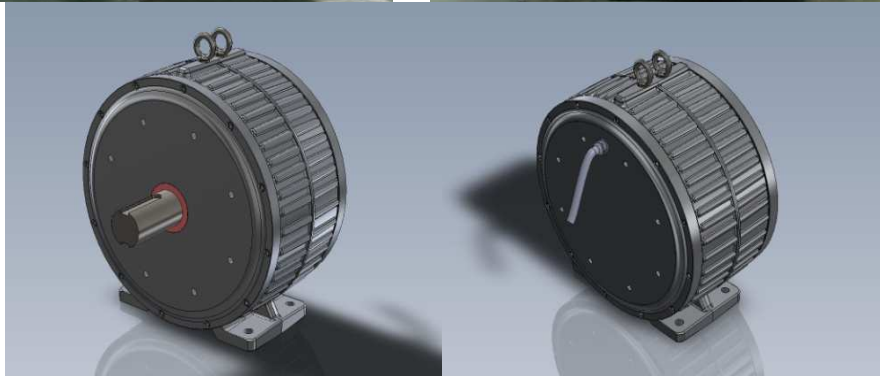
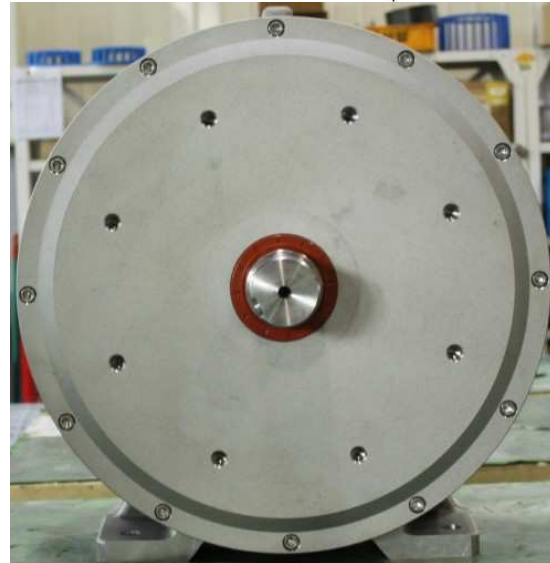
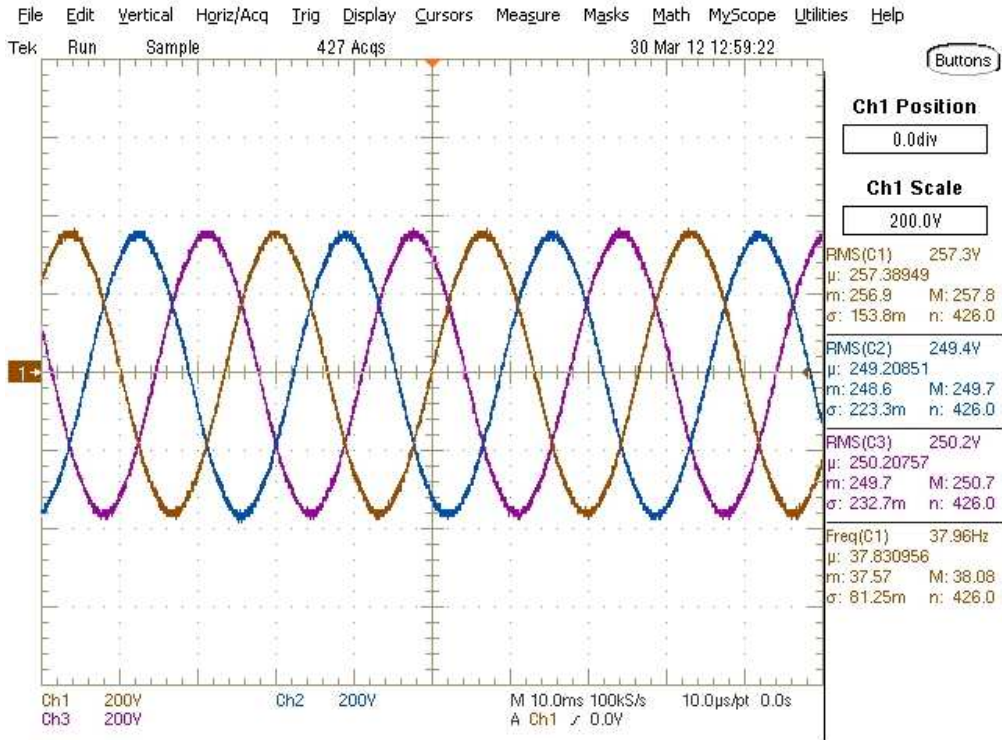
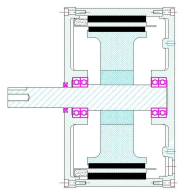
E-mail: rosa@seoltech.com & skywindearth@seoltech.com





PMSG

ISO9001:2008 , ISO14001:2004



SEOLTECH CO.,LTD.

100-186 Calsan-Dong, Dalseo-Ku, Daegu Korea 704-900

Tel : 82.53.580.7400 Fax : 82.53.580.7499

E-mail: rosa@seoltech.com & skywindearth@seoltech.com

