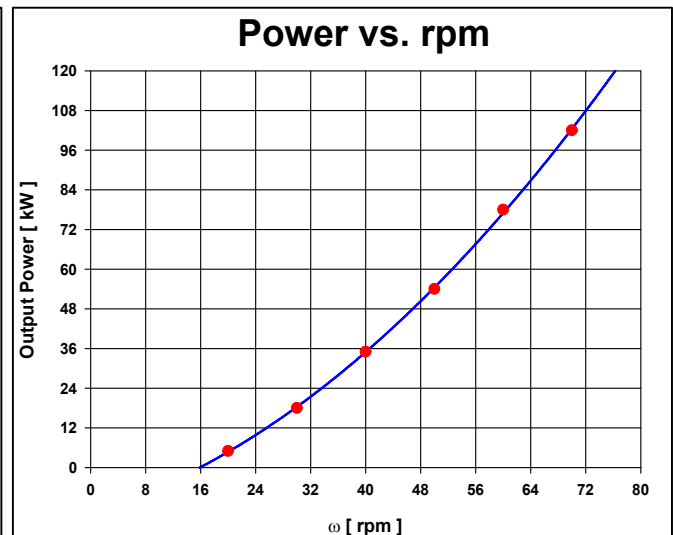
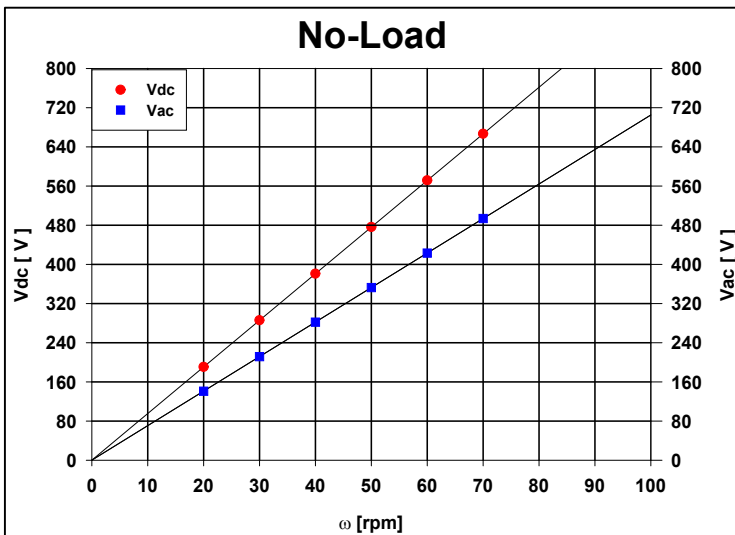


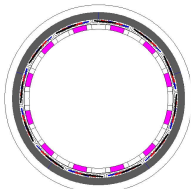
PM Generator For Small Wind Turbine & Hydro Skew, Low Cogging Torque, High Efficiency...

Model : SWEG75K-60-I

	Symbol	units	
Output power	P _o	kW	75
Rated speed	ω	rpm	60
Output Voltage	E	V	3phase, 380(L-L)
Max. Efficiency	η	%	95
Rotor			Permanent magnet
Number of Pole	-	-	48
Speed Constant	K _E	Vdc/rpm	9.52
Resistance at 20 °C(Line-Line)	R _T	Ω	0.38
Inductance (Line-Line)	L	mH	12.5
Rotor Inertia	J	Kg-m ²	24.7
Maximum Temperature	C _{Max}	°C	150
Winding			Wye
Starting Torque		Nm	< 196
Shaft Play-Axial		mm	< 1
Gen. Weight	W _g	Kg	1,500

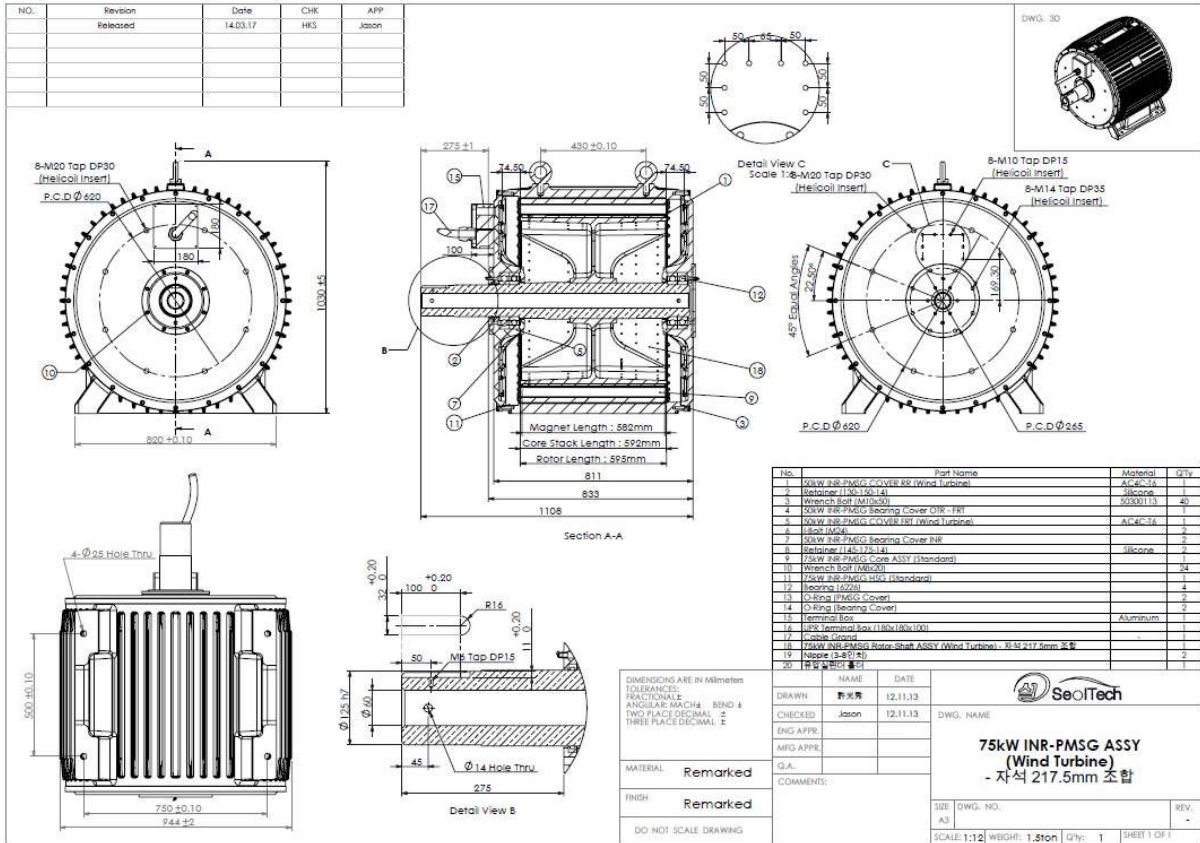
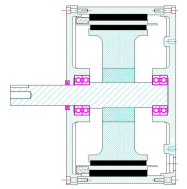
Note: Frame type, Al-Housing, Bearing- NSK or NTN





PMSG

ISO9001:2008, ISO14001:2004



Checklist Category-

1. Dimension and Tolerances
2. Output power, Voltage, Rpm
3. Insulation Resistance Examination
4. Starting Torque
5. Output wire 25SQ X 4 (red, white, black, green)



SEOLTECH CO.,LTD.

100-186 Calsan-Dong, Dalseo-Ku, Daegu Korea 704-900

Tel : 82.53.580.7400 Fax : 82.53.580.7499

E-mail: rosa@seoltech.com & skywindearth@seoltech.com

